

DRAWING NUMBER ISSUE

S-C1100AS-03



Crown Audio, Inc.
P.O. Box 1000
Elkhart, IN 46515-1000
U.S.A.
Ph: 219-294-8000

A Harman International Company

TITLE: PULSE 2x1100

SHEET 1

FILENAME: S-C1100AS-03.SCH

DRAWN: BPV

DATE: 8/11/1999

CHECKED:

MATERIAL:

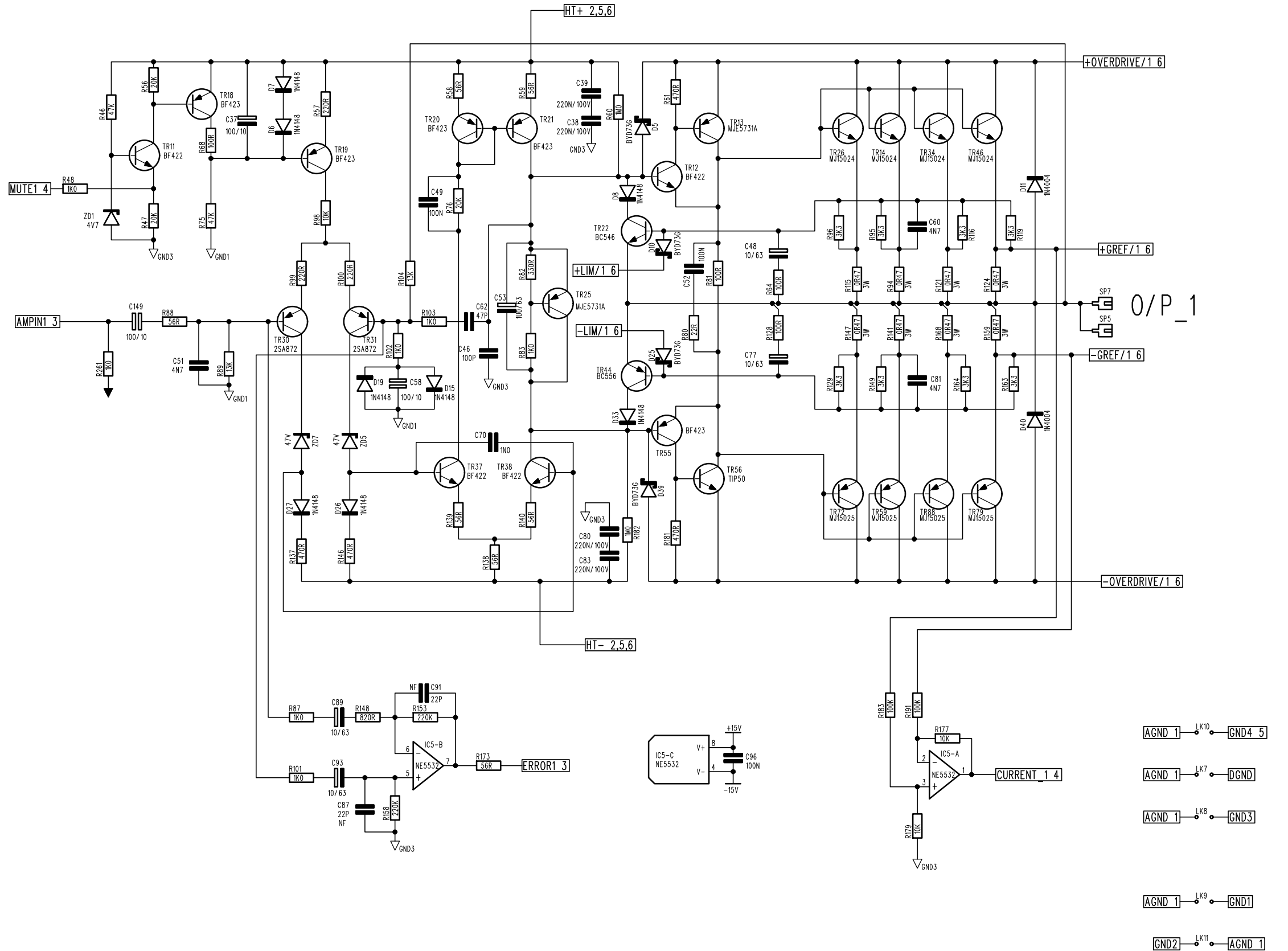
FINISH:

ISSUE COMMENTS:

- 1. PROTOTYPE
- 2. PRE-PRODUCTION ISSUE
- 2A. ECN0231 TX5 SYMBOL CORRECTED
- 2B. ECN0251 15/11/99
- 2C. ECN0275 11/01/00
- 2D. ECN0305 02/03/00
- 3. ECN0335 05/05/00

PART NUMBER:

THESE DRAWINGS AND SPECIFICATIONS ARE THE PROPERTY OF CROWN AUDIO, INC., AND SHALL NOT BE REPRODUCED, COPIED, OR USED AS THE BASIS FOR THE MANUFACTURE OR SALE OF APPARATUS OR DEVICES WITHOUT PERMISSION.
© 2001 CROWN AUDIO, INC.



DRAWING NUMBER ISSUE

S-C1100AS-03



Crown Audio, Inc.
P.O. Box 1000
Elkhart, IN 46515-1000
U.S.A.
Ph: 219-294-8000

A Harman International Company

TITLE: PULSE 2x1100

SHEET 3

FILENAME: S-C1100AS-03.SCH

DRAWN: BPV

DATE: 8/11/1999

CHECKED:

MATERIAL:

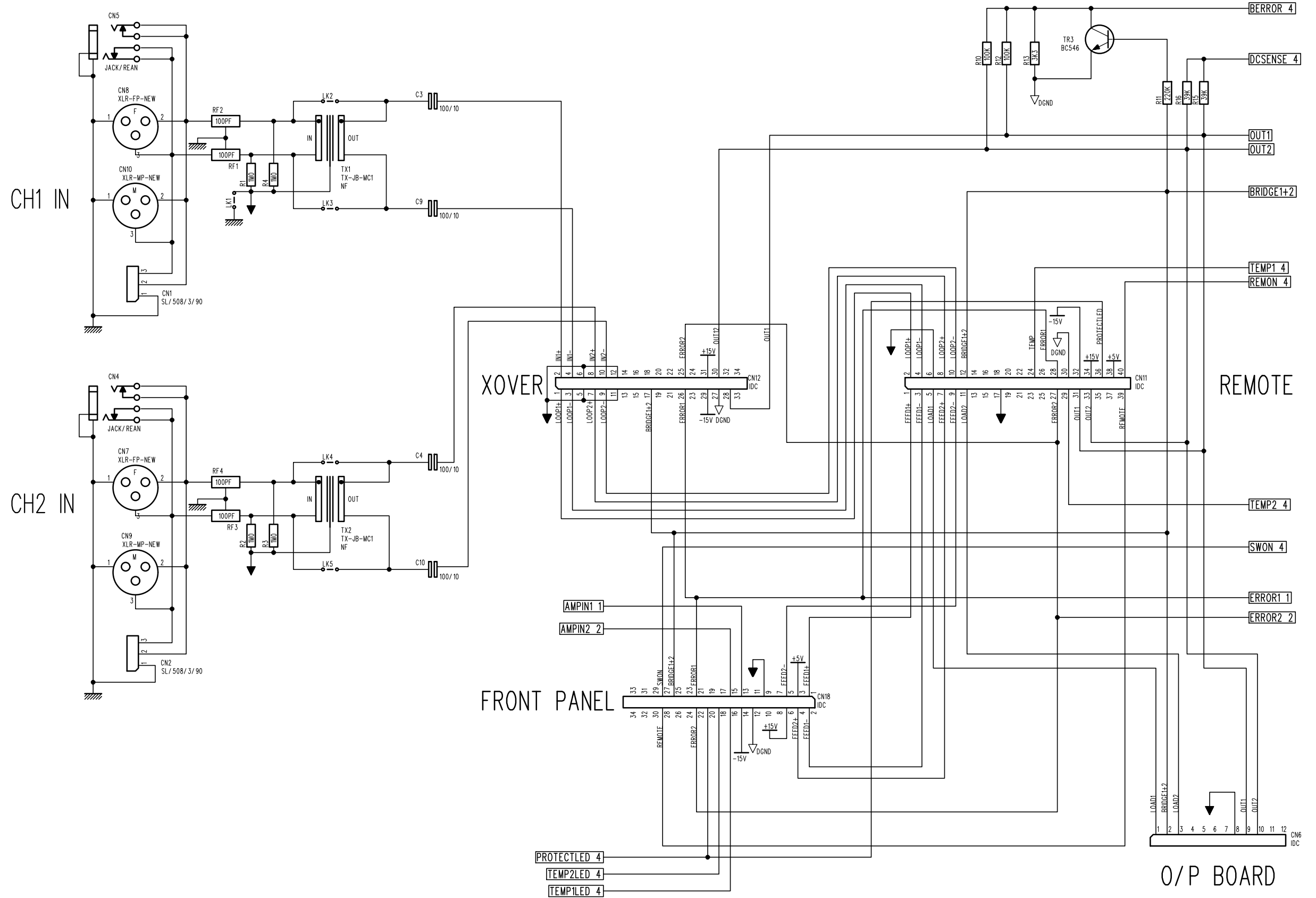
FINISH:

ISSUE COMMENTS:

1. PROTOTYPE
2. PRE-PRODUCTION ISSUE
- 2A. ECN0231 TX5 SYMBOL CORRECTED
- 2B. ECN0251 15/11/99
- 2C. ECN0275 11/01/00
- 2D. ECN0305 02/03/00
3. ECN0335 05/05/00

PART NUMBER:

THESE DRAWINGS AND SPECIFICATIONS ARE THE PROPERTY OF CROWN AUDIO, INC., AND SHALL NOT BE REPRODUCED, COPIED, OR USED AS THE BASIS FOR THE MANUFACTURE OR SALE OF APPARATUS OR DEVICES WITHOUT PERMISSION.
© 2001 CROWN AUDIO, INC.



THESE DRAWINGS AND SPECIFICATIONS ARE THE PROPERTY OF CROWN AUDIO, INC., AND SHALL NOT BE REPRODUCED, COPIED, OR USED AS THE BASIS FOR THE MANUFACTURE OR SALE OF APPARATUS OR DEVICES WITHOUT PERMISSION.
© 2001 CROWN AUDIO, INC.

DRAWING NUMBER ISSUE

S-C1100AS-03



Crown Audio, Inc.
P.O. Box 1000
Elkhart, IN 46515-1000
U.S.A.
Ph: 219-294-8000

A Harman International Company

TITLE: PULSE 2x1100

SHEET 5

FILENAME: S-C1100AS-03.SCH

DRAWN: BPV

DATE: 8/ 11/ 1999

CHECKED:

MATERIAL:

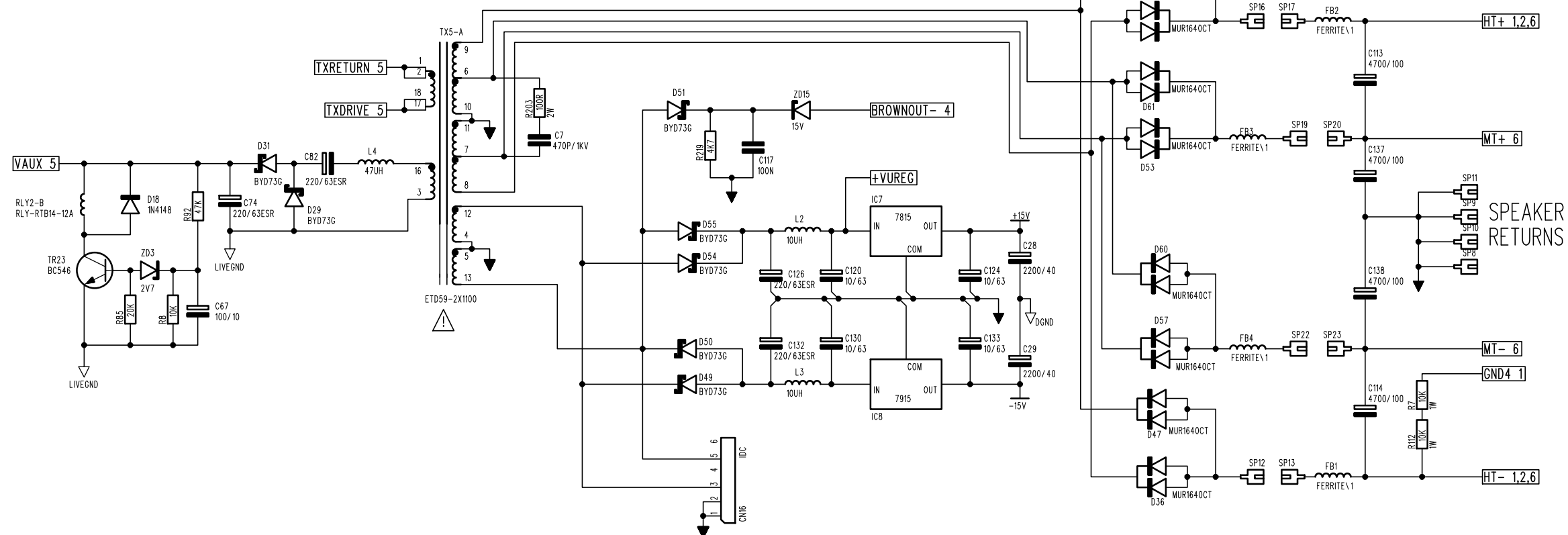
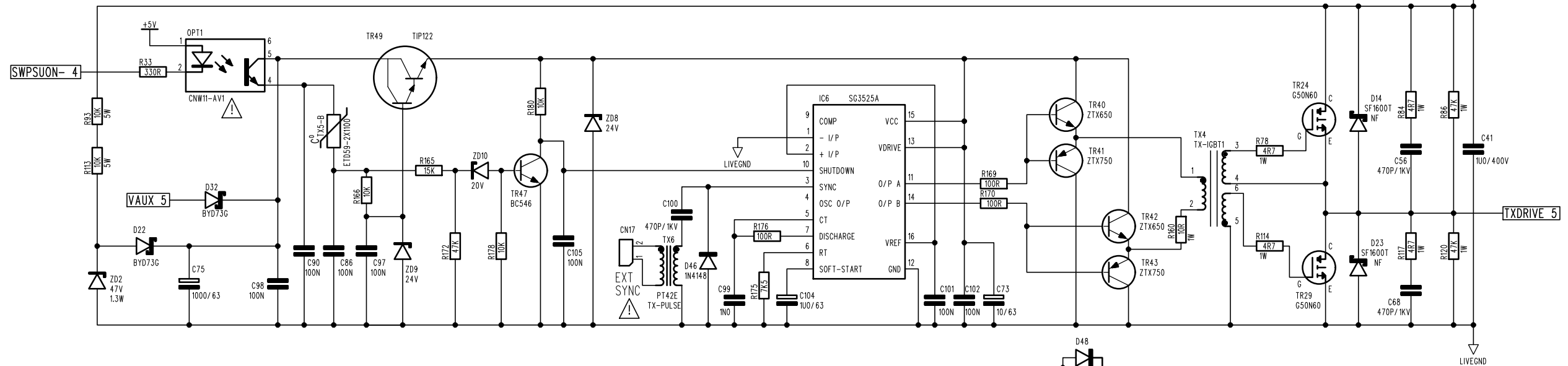
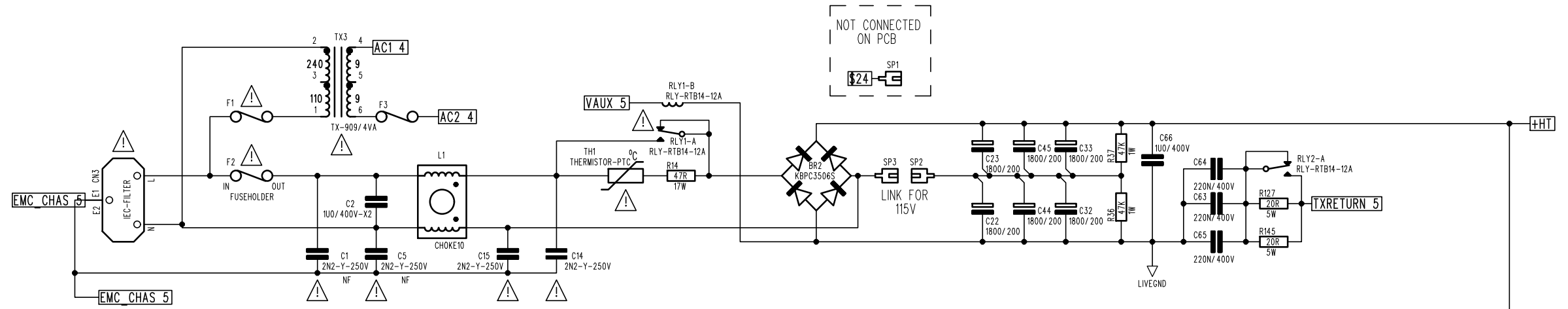
FINISH:

ISSUE COMMENTS:

- 1. PROTOTYPE
- 2. PRE-PRODUCTION ISSUE
- 2A. ECN0231 TX5 SYMBOL CORRECTED
- 2B. ECN0251 15/11/99
- 2C. ECN0275 11/01/00
- 2D. ECN0305 02/03/00
- 3. ECN0335 05/05/00

PART NUMBER:

THESE DRAWINGS AND SPECIFICATIONS ARE THE PROPERTY OF CROWN AUDIO, INC., AND SHALL NOT BE REPRODUCED, COPIED, OR USED AS THE BASIS FOR THE MANUFACTURE OR SALE OF APPARATUS OR DEVICES WITHOUT PERMISSION.
© 2001 CROWN AUDIO, INC.



DRAWING NUMBER ISSUE

S-C1100AS-03



Crown Audio, Inc.
P.O. Box 1000
Elkhart, IN 46515-1000
U.S.A.
Ph: 219-294-8000

A Harman International Company

TITLE:
PULSE 2x1100

SHEET 4

FILENAME: S-C1100AS-03.SCH

DRAWN: BPV

DATE: 8/11/1999

CHECKED:

MATERIAL:

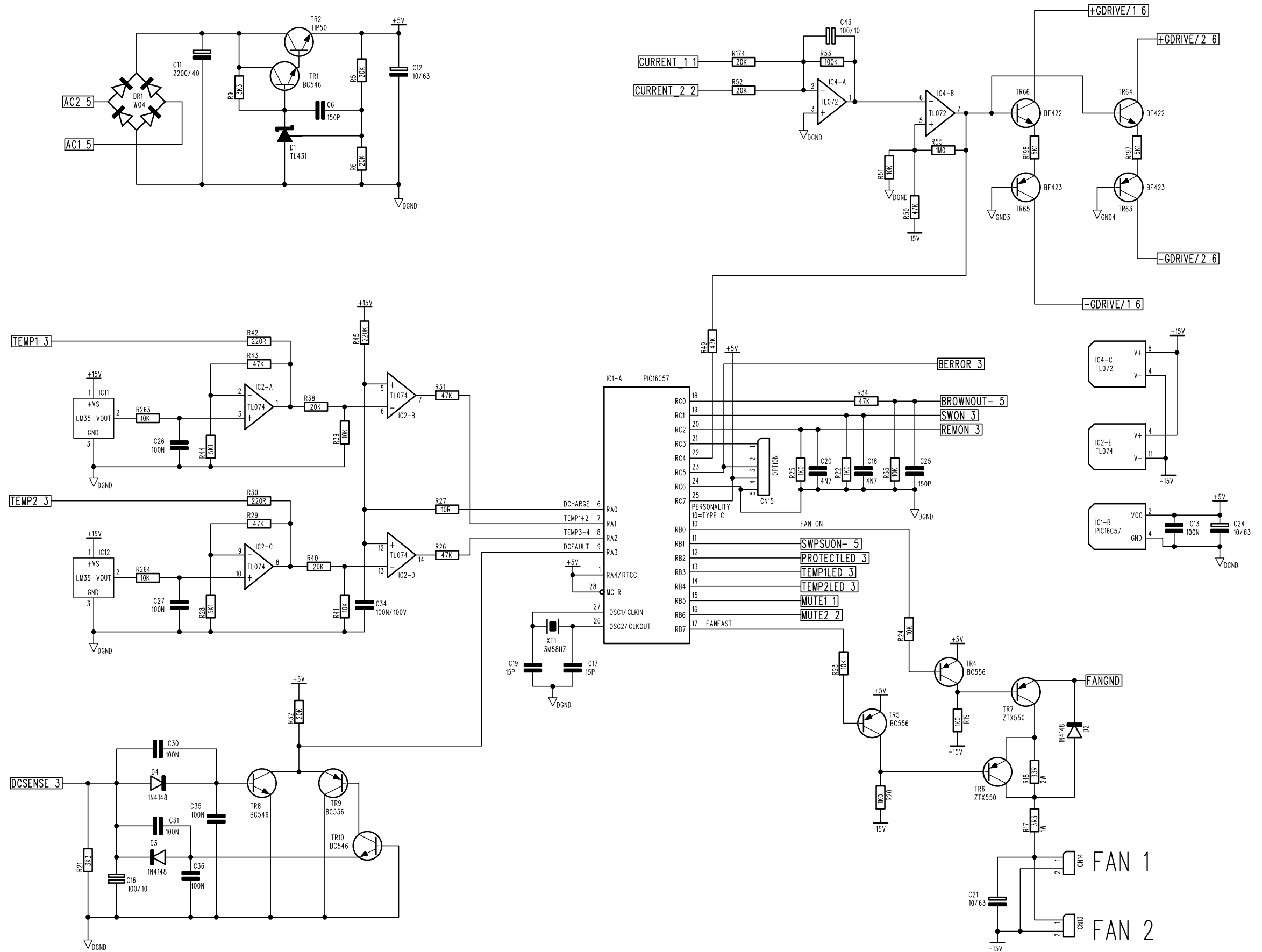
FINISH:

ISSUE COMMENTS:

- 1. PROTOTYPE
- 2. PRE-PRODUCTION ISSUE
- 2A. ECN0231 TX5 SYMBOL CORRECTED
- 2B. ECN0251 15/11/99
- 2C. ECN0275 11/01/00
- 2D. ECN0305 02/03/00
- 3. ECN0335 05/05/00

PART NUMBER:

THESE DRAWINGS AND SPECIFICATIONS ARE THE PROPERTY OF CROWN AUDIO, INC., AND SHALL NOT BE REPRODUCED, COPIED, OR USED AS THE BASIS FOR THE MANUFACTURE OR SALE OF APPARATUS OR DEVICES WITHOUT PERMISSION.
© 2001 CROWN AUDIO, INC.



DRAWING NUMBER ISSUE

S-C1100AS-03



Crown Audio, Inc.
P.O. Box 1000
Elkhart, IN 46515-1000
U.S.A.
Ph: 219-294-8000

A Harman International Company

TITLE:
PULSE 2x1100

SHEET 6

FILENAME: S-C1100AS-03.SCH

DRAWN: BPV

DATE: 8/ 11/ 1999

CHECKED:

MATERIAL:

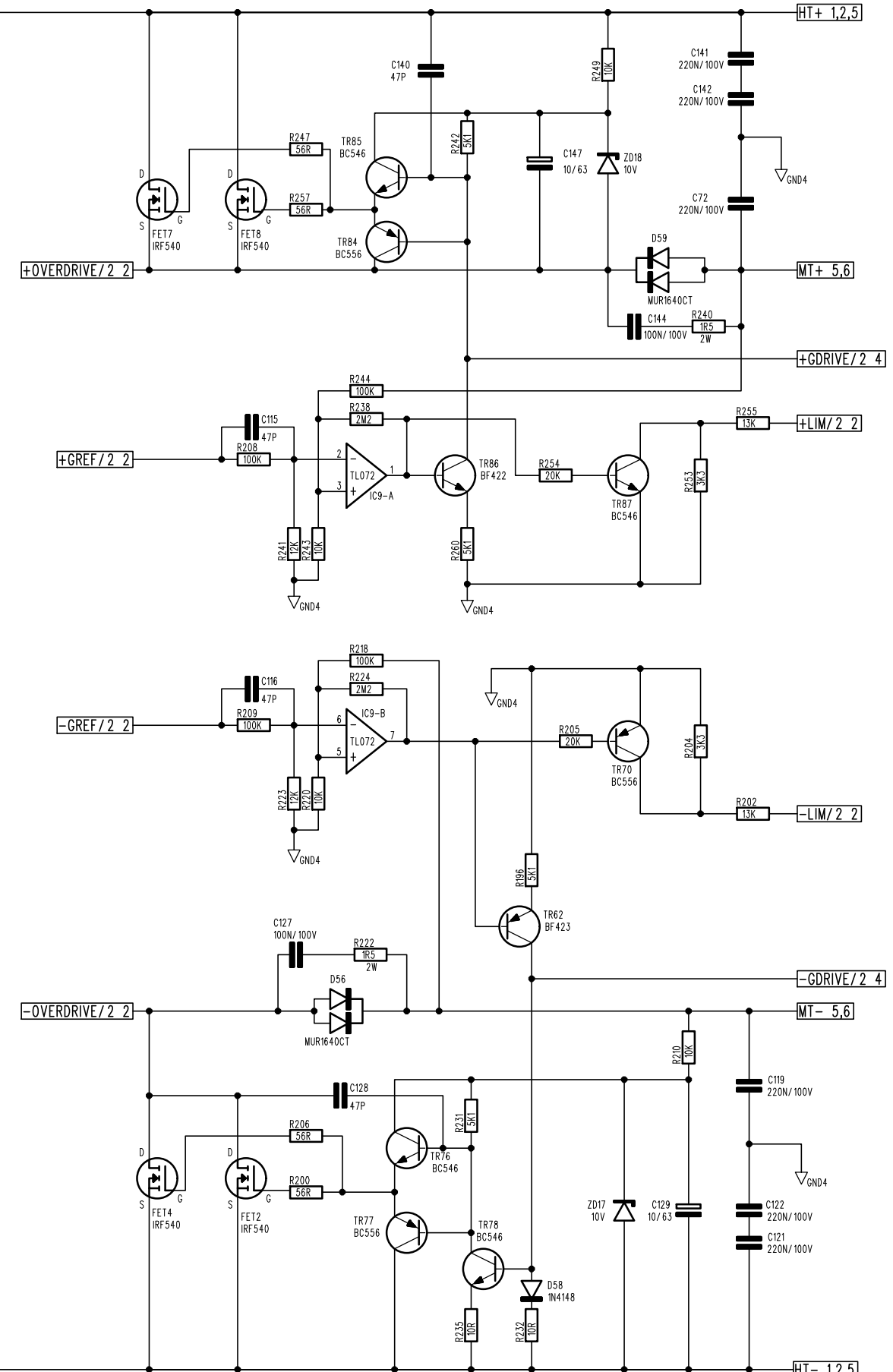
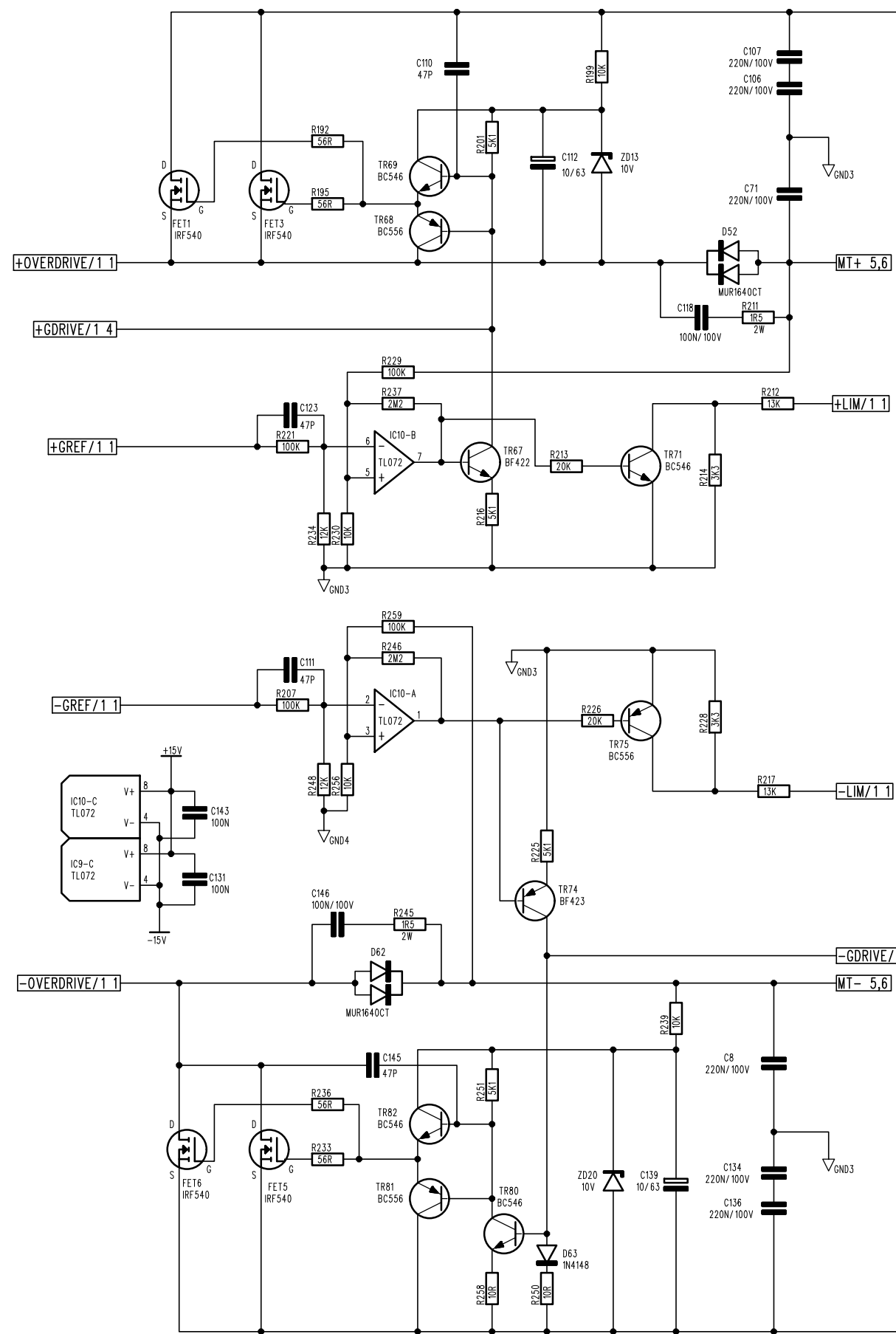
FINISH:

ISSUE COMMENTS:

- 1. PROTOTYPE
- 2. PRE-PRODUCTION ISSUE
- 2A. ECN0231 TX5 SYMBOL CORRECTED
- 2B. ECN0251 15/11/99
- 2C. ECN0275 11/01/00
- 2D. ECN0305 02/03/00
- 3. ECN0335 05/05/00

PART NUMBER:

THESE DRAWINGS AND SPECIFICATIONS ARE THE PROPERTY OF CROWN AUDIO, INC., AND SHALL NOT BE REPRODUCED, COPIED, OR USED AS THE BASIS FOR THE MANUFACTURE OR SALE OF APPARATUS OR DEVICES WITHOUT PERMISSION.
© 2001 CROWN AUDIO, INC.



DRAWING NUMBER ISSUE

S-C1100AS-03



Crown Audio, Inc.
P.O. Box 1000
Elkhart, IN 46515-1000
U.S.A.
Ph: 219-294-8000

A Harman International Company

TITLE:
PULSE 2x1100

SHEET 2
FILENAME: S-C1100AS-03.SCH

DRAWN: BPV

DATE: 8/ 11/ 1999

CHECKED:

MATERIAL:

FINISH:

ISSUE COMMENTS:

- 1. PROTOTYPE
- 2. PRE-PRODUCTION ISSUE
- 2A. ECN0231 TX5 SYMBOL CORRECTED
- 2B. ECN0251 15/11/99
- 2C. ECN0275 11/01/00
- 2D. ECN0305 02/03/00
- 3. ECN0335 05/05/00

PART NUMBER:

THESE DRAWINGS AND SPECIFICATIONS ARE THE PROPERTY OF CROWN AUDIO, INC., AND SHALL NOT BE REPRODUCED, COPIED, OR USED AS THE BASIS FOR THE MANUFACTURE OR SALE OF APPARATUS OR DEVICES WITHOUT PERMISSION.
© 2001 CROWN AUDIO, INC.

